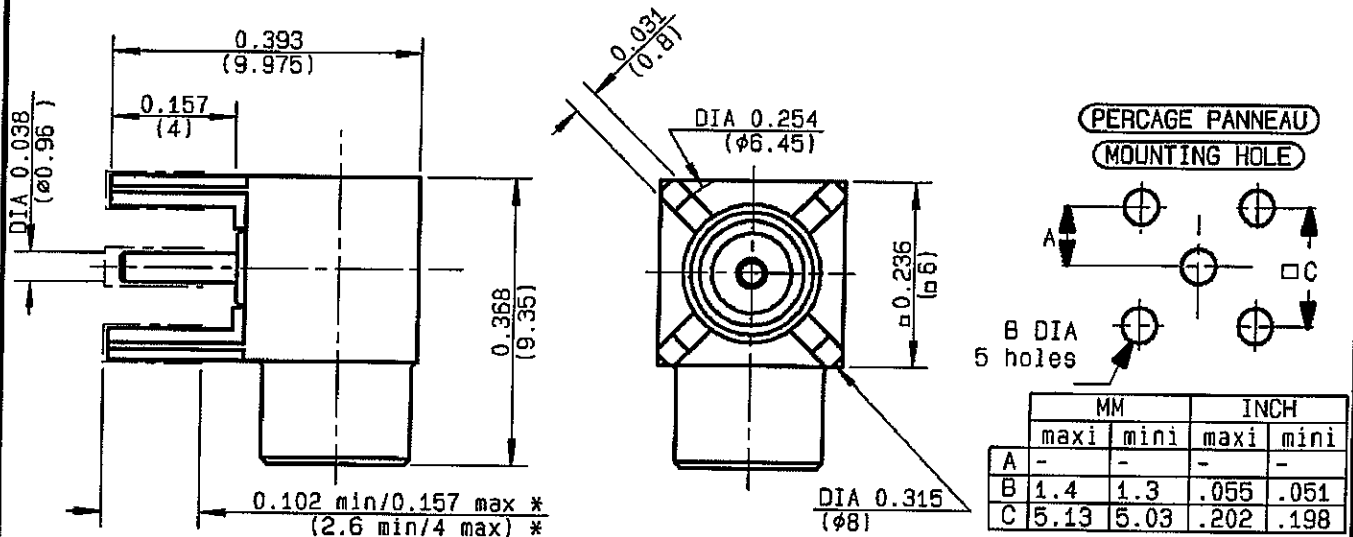


**RIGHT ANGLE JACK RECEPTACLE FOR PCB  
SOLDER LEGS**

**R113.665.210**  
**SERIES MCX**



NOMINAL IMPEDANCE	<b>50</b> $\Omega$	CABLES :	OTHERS CHARACTERISTICS	
FREQUENCY RANGE	<b>0-6</b> GHz		<b>* Selective Tin plated</b>	
TEMPERATURE RATING	<b>-55/+155</b> °C		CABLE RETENTION	<b>NA</b> N Mini
V.S.W.R	<b>1.05 + .015 x F(GHz)Maxi</b>		CENTER CONTACT RETENTION	
RF INSERTION LOSS	<b>0.03</b> $\sqrt{F}$ (GHz) dB Maxi		Axial force - mating end	<b>10</b> N Mini
VOLTAGE RATING	<b>335</b> Veff Maxi		Axial force - opposite end	<b>10</b> N Mini
DIELECTRIC WITHSTANDING VOLTAGE	<b>1000</b> Veff Mini		Torque	<b>NA</b> cm.N Mini
INSULATION RESISTANCE	<b>1000</b> M $\Omega$ Mini		RECOMMENDED TORQUES	
HERMETIC SEAL	<b>NA</b> Atm.cm <sup>3</sup> /s		Mating	<b>NA</b> cm.N
LEAKAGE (pressurized only)	<b>NA</b>		Panel nut	<b>NA</b> cm.N
MECHANICAL DURABILITY	<b>500</b> Cycles	Clamp nut	<b>NA</b> cm.N	
WEIGHT	<b>1.76</b> gr			
SPECIFICATION				

CONNECTOR PARTS	MATERIALS	FINISH	(all values are given) in micrometers
BODY	BRASS	GOLD 1.3 OVER COPPER 0.5	
OUTER CONTACT			
CENTER CONTACT	BERYLLIUM COPPER	GOLD 2.5 OVER COPPER 2.5	
INSULATOR	PTFE		
GASKET			
OTHERS PIECES			

ISSUE 0512 B	CREATION DATE 11/08/1997	FILE PART-NUMBER 97-0400-460	 <b>RADIALL</b> ®
-----------------	-----------------------------	---------------------------------	---

The information given here is subject to change without notice.  
Design changes may be in order to improve the product.

*Connect to the future*